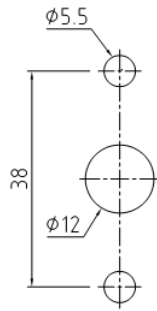
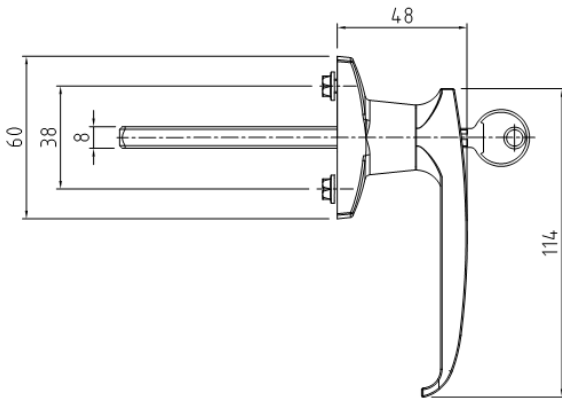


LOCKABLE L HANDLE



CUT-OUT



FEATURES:

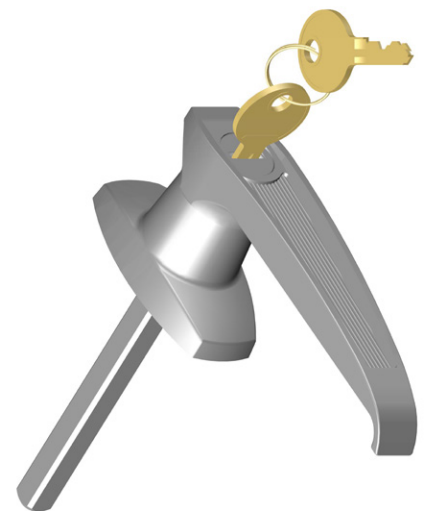
- Rear fixing
- Park position with “click”
- 90° or 180° rotation, LH or RH application
- Various key types available
- High quality chrome plating

MATERIAL & FINISH:

Handle	Zinc Die, Chrome Plated
Housing	Zinc Die, Chrome Plated
Shaft	Mild Steel, Zinc Plated

STANDARD CAMS AVAILABLE:

- [1000-1586](#) [Single point](#)
- [1000-1587](#) [3 point with adapters](#)
- [1000-1588](#) [3 point without adapters](#)
- [1000-1592](#) [Internal handle](#)
- [P2535](#) [Emergency internal handle](#)
- [1000-1589-1200E](#) [2x rods + 3 point cam](#)



KEY NUMBER	PART NUMBER
Non Locking	ABLU00B
CL001	ABLU01B
92268	ABLU02B
CL003	ABLU07B