

LOCKABLE T HANDLE

FEATURES:

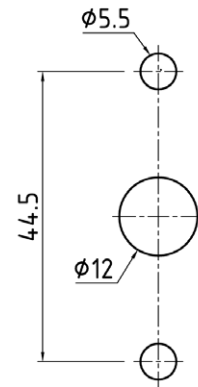
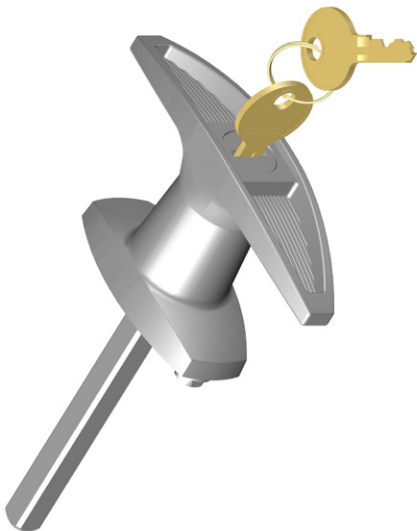
- Rear fixing
- Park position with “click”
- 90° or 180° rotation, LH or RH application
- Various key types available
- High quality chrome plating

MATERIAL & FINISH:

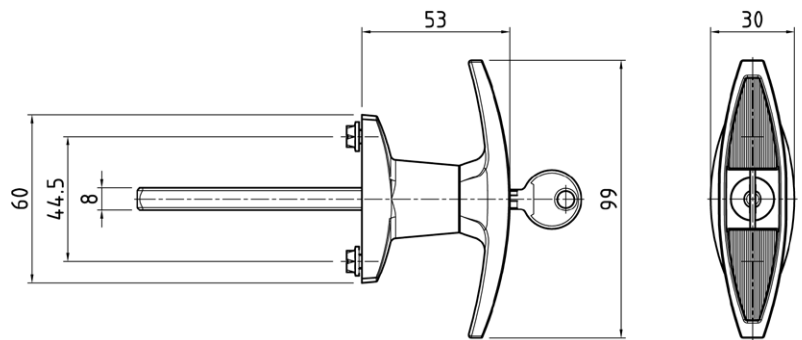
Handle	Zinc Die, Chrome Plated
Housing	Zinc Die, Chrome Plated
Shaft	Mild steel, Zinc Plated

STANDARD CAMS AVAILABLE:

- [1000-1586](#) Single point
- [1000-1587](#) 3 point with adapters
- [1000-1588](#) 3 point without adapters
- [1000-1592](#) Internal handle
- [P2535](#) Emergency internal handle
- [1000-1589-1200E](#) 2x rods + 3 point cam



CUT-OUT



MOUNTING TYPE	KEY NUMBER	PART NUMBER
Non Locking		ABTU00B
Rear	CL001	ABTU01B
Rear	92268	ABTU02B
Rear	604	ABTU03B
Rear	CL003	ABTU07B

For front mount add “F” to end of part number