

COMPACT POP T HANDLE

FEATURES:

- Compression action
- Front fixing
- Low profile for automotive use
- Various key combinations available
- Pop-up feature
- Can fit thick composite panel

KEYING:

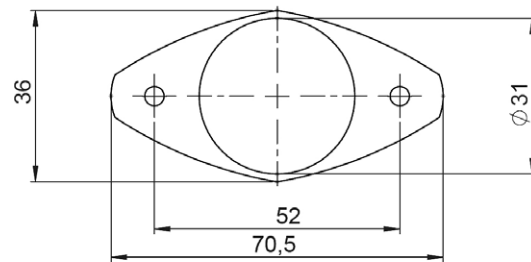
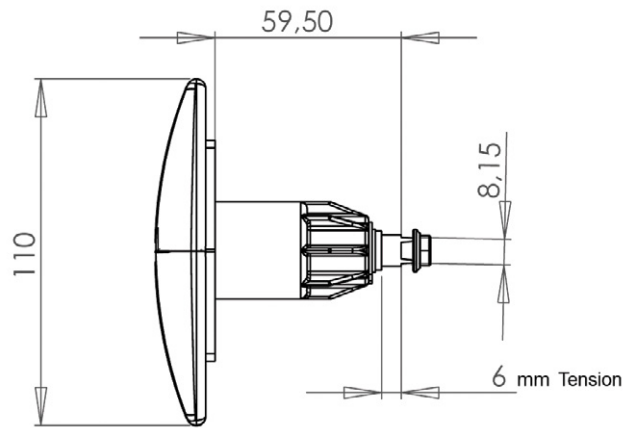
Barrel & key to be ordered separately.
Please refer to table below

MATERIAL & FINISH:

Handle Polyamide
Base Polyamide
Shaft Zinc die cast

CAMS AVAILABLE:

- Single point cam with various 'H' dimensions (refer to [page 1-14](#) when ordering)
- 3 point cams with various 'H' dimensions (refer to [page 3-7](#) when ordering)



VERSION	DESCRIPTION	PART NUMBER
1	Compression	2007-20S4-840

DESCRIPTION	PART NUMBER
Key Barrel	4309-Z000-8001
Key	4310-Z000-8001