

COMPRESSION T HANDLE

FEATURES:

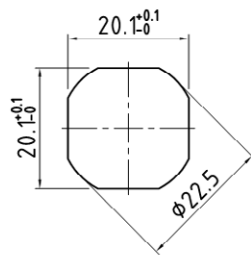
- Provides compression on closing
- Reduced fixing time
- Fully assembled
- Standard key - K28

MATERIAL & FINISH:

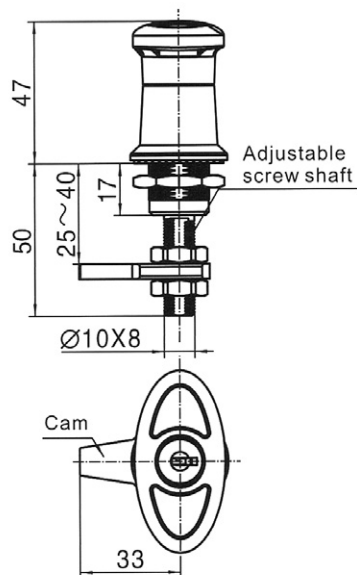
Housing	Zinc die, satin Chrome plated
Cam	Mild steel, Zinc plated

CAM DIMENSIONS:

- Single point cam with various 'H' dimensions (refer to [page 1-14](#) when ordering)



CUTOUT



MS319-1A



KEY CODE	LENGTH (mm)	PART NUMBER
Keyed K28	50	MS319-1A