

POP T HANDLE

FEATURES:

- Flush mount
- Low profile for automotive use
- Various key combinations available
- Black powder coated finish
- Pop up action for easy operation

DIMENSIONS:

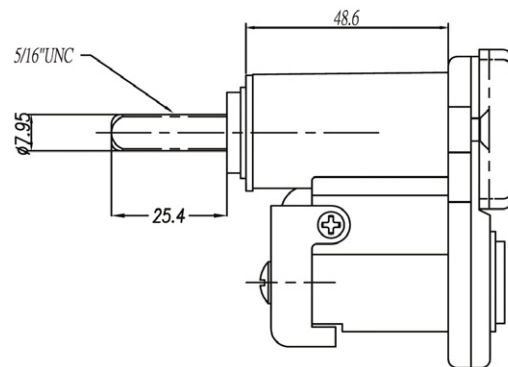
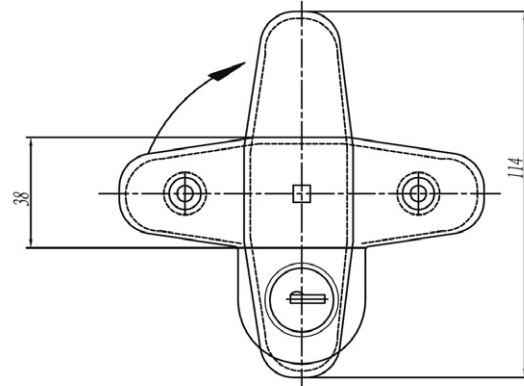
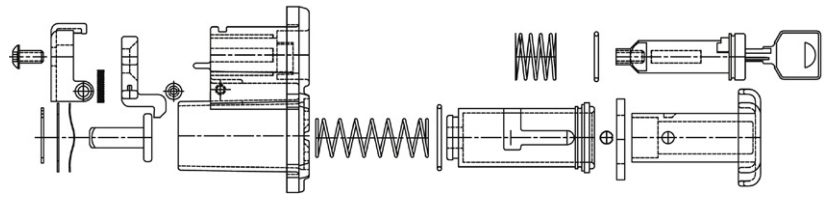
Shaft Length = 25mm
 Cross section = 8mm

MATERIAL & FINISH:

Handle Zinc die, Black Powder
 Coated
 Base Zinc die, Black Powder
 Coated
 Shaft Mild steel, Zinc plated

STANDARD CAM DIMENSIONS:

- [1000-1586](#) Single point
- [1000-1587](#) 3 point with adapters
- [1000-1588](#) 3 point without adapters



KEY CODE	DIRECTION TO OPEN	PART NUMBER
CF203	CCW	T302L-CF203
CF204	CCW	T302L-CF204
CF205	CCW	T302L-CF205
CF206	CCW	T302L-CF206
CF207	CCW	T302L-CF207