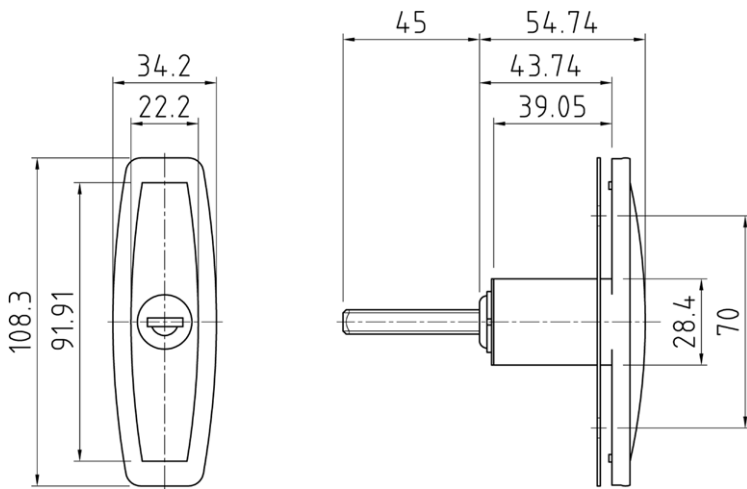


# POP UP T HANDLE



## FEATURES:

- Pop-out T-handle and with anti-dust cover
- Black painted standard
- 5 disc tumbler mechanism
- Rotation angle 1800 cw
- 2 single bitted key with plastic cover & 1 rubber washer
- Available for 200 combinations

## DIMENSIONS:

Shaft Length = 45mm  
Square size = 8mm

## MATERIAL & FINISH:

Zinc alloy die cast

## STANDARD CAMS AVAILABLE:

- [1000-1586](#) Single point
- [1000-1587](#) 3 point with adapters
- [1000-1588](#) 3 point without adapters
- [1000-1592](#) Internal handle
- [P2535](#) Emergency internal handle



DESCRIPTION	PART NUMBER
Pop up T Handle	60026