

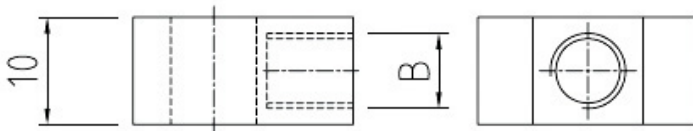
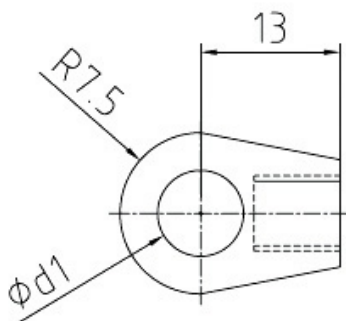
EYELET (DIE CASTING)

MATERIAL & FINISH:

- Material : Alloy zinc
- Surface treatment : Zinc plated



HOLE (mm)	HOUSING THREAD	PART NUMBER
10.1	M8x1.25	D8A5
10.1	M6x1.0	D8A6



EYELET (DIE CASTING)

MATERIAL & FINISH:

- Material : Alloy zinc
- Surface treatment : Zinc plated



HOLE (mm)	HOUSING THREAD	PART NUMBER
8.1	M6x1.0	D7A