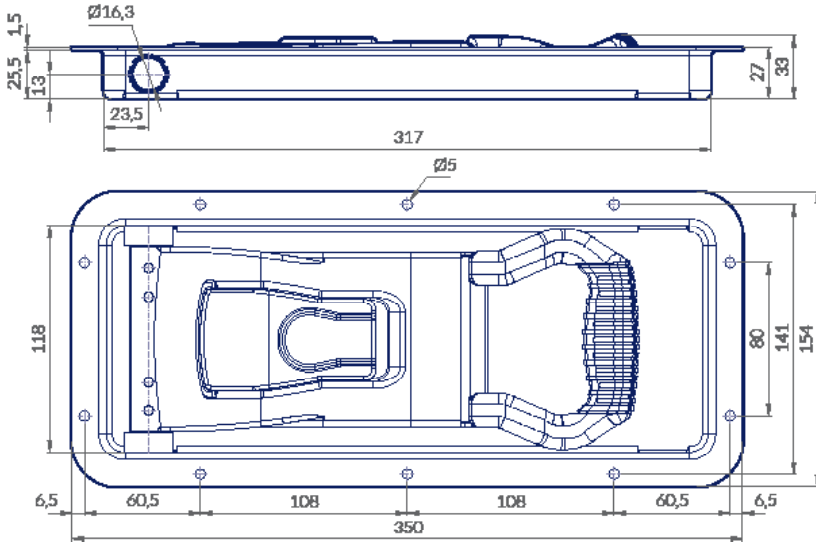


SELECTLOK
STAINLESS
STEEL

RECESSED HANDLE

FEATURES:

- Recessed handle 16



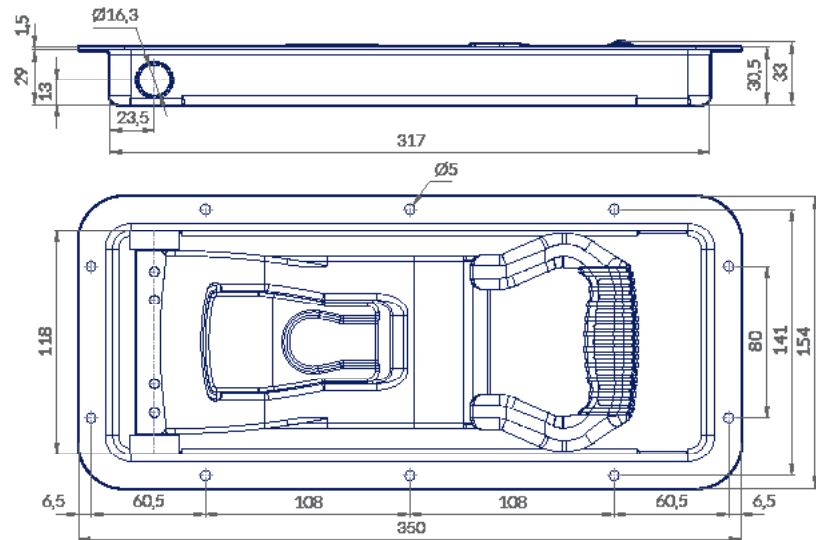
MATERIAL	PART NUMBER
Stainless steel	FEM16001-25-1

SELECTLOK
STAINLESS
STEEL

RECESSED HANDLE

FEATURES:

- Recessed handle 16



MATERIAL	PART NUMBER
Stainless steel	FEM16001-29-1