

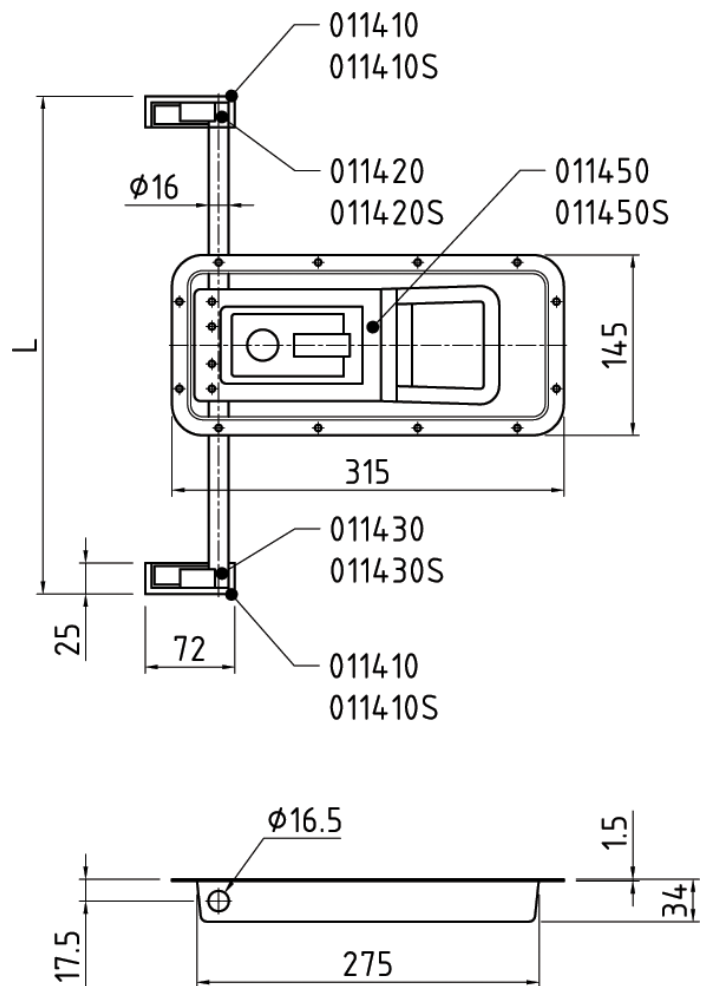
CAM LOCK KIT

FEATURES:

- To suit 16mm OD tubing
- Flush Handle

MATERIAL & FINISH:

- Mild steel/zinc plated
- Stainless Steel/polished



| MATERIAL | FINISH | PART NUMBER |
|------------|-------------|-------------|
| Mild steel | Zinc plated | 011400 |