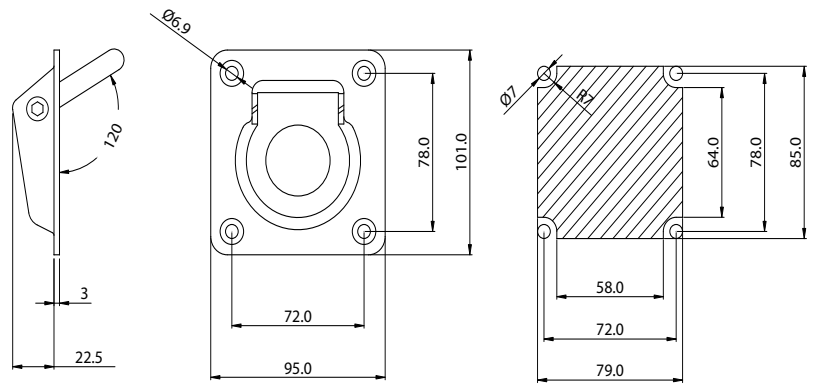


# LASHING RING

## MATERIAL & FINISH:

- Mild steel
- Zinc plated



CUT OUT

MATERIAL	PART NUMBER
Zinc	9193