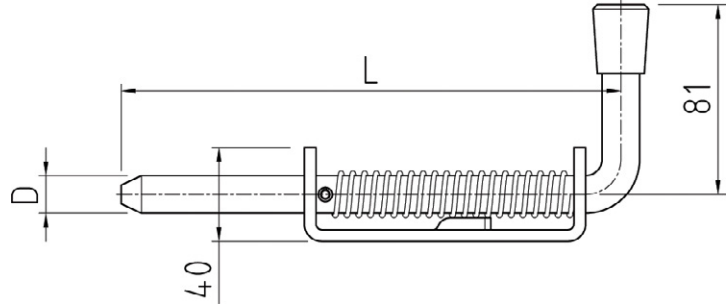
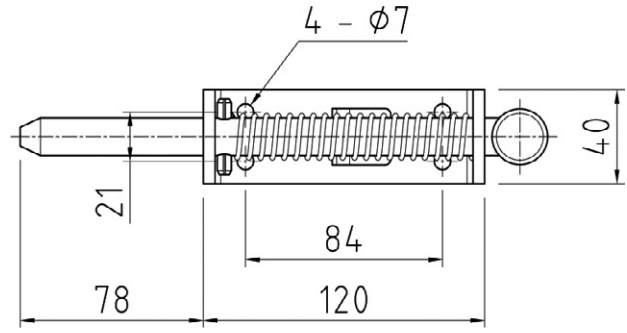


LARGE SPRING LOADED BOLT

MATERIAL & FINISH:

- Mild steel
- Zinc plated



LENGTH	D	PART NUMBER
213mm	16mm	152020
213mm	12mm	152030

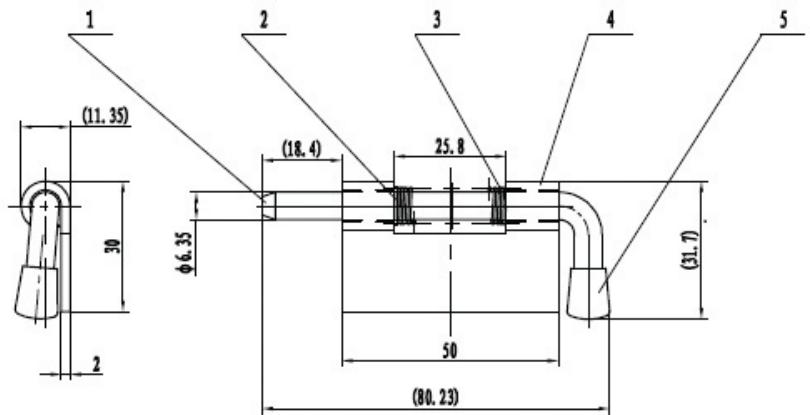
STAINLESS STEEL SPRING BOLT

MATERIAL & FINISH:

- Material : Stainless steel
- Surface treatment : Polished
- Weight : 0.048 kg



SELECTRIX
STAINLESS
STEEL



MATERIAL	SURFACE	PART NUMBER
Stainless steel	Polished	152104-S