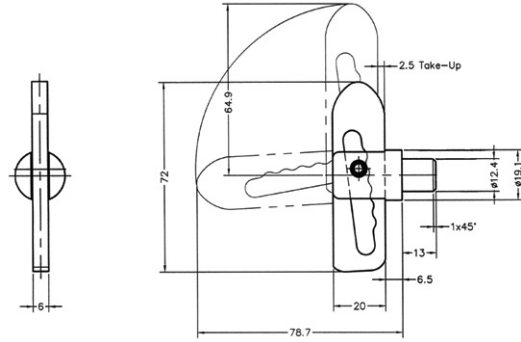
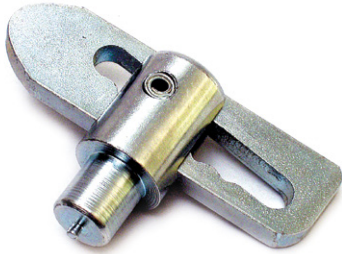


WELD-ON ANTILUCE

MATERIAL & FINISH:

- Mild steel
- Zinc plated

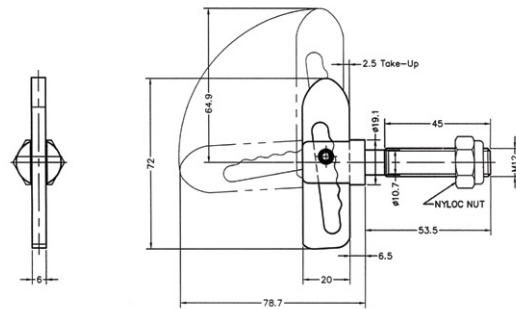
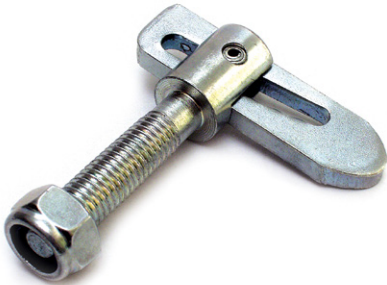


DESCRIPTION	PART NUMBER
Weld-on antiluce	9777

THREADED ANTILUCE

MATERIAL & FINISH:

- Mild steel
- Zinc plated

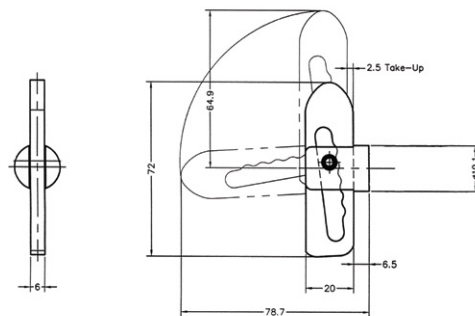


THREAD LENGTH	PART NUMBER
20 mm	9716-25
45 mm	9716-50

STUBLESS WELD-ON ANTILUCE

MATERIAL & FINISH:

- Mild steel
- Zinc plated



DESCRIPTION	PART NUMBER
Stubless weld-on antiluce	9777-NS