

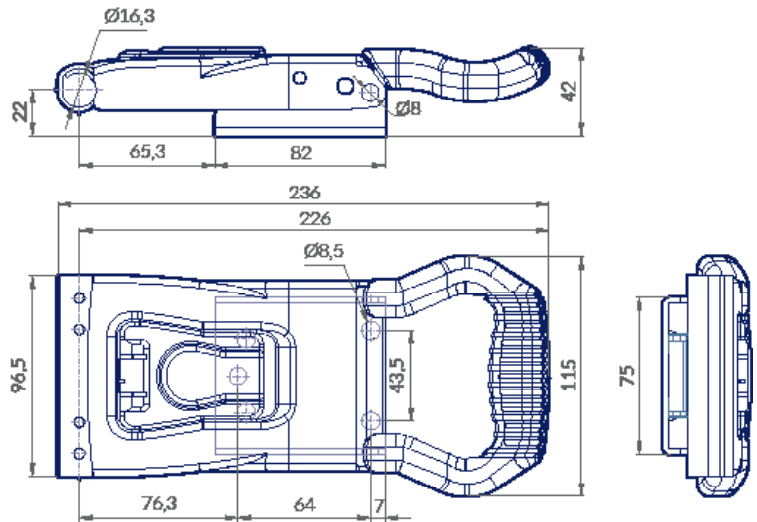
EXTERNAL LOCK

FEATURES:

- External lock 16



SELECTRIX
STAINLESS
STEEL



MATERIAL

Stainless steel

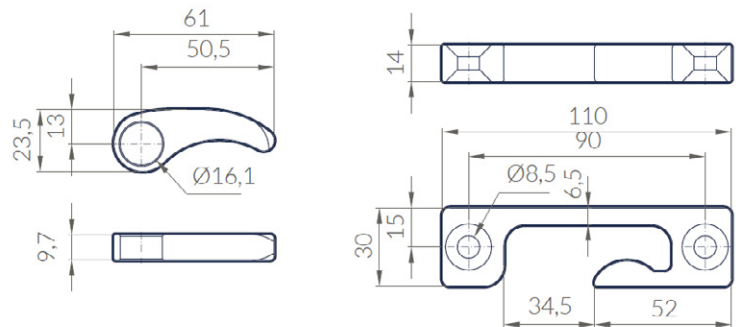
PART NUMBER

FEX16003

KIT RECESSED CAMS & KEEPERS



SELECTRIX
STAINLESS
STEEL



MATERIAL

Stainless steel

PART NUMBER

KLC-EM1