

HEAVY DUTY COVER STAY

FEATURES:

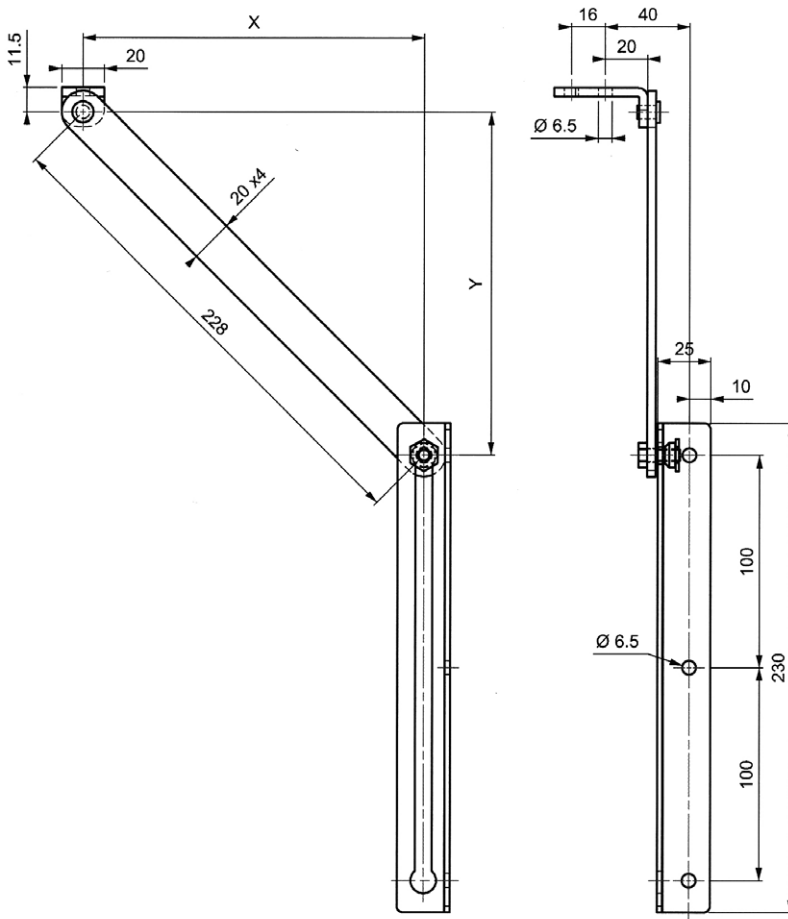
- Automatic lock to keep door open
- For heavy duty applications

DIMENSIONS:

Length = 230mm

MATERIAL & FINISH:

Mild steel, zinc plated
Stainless steel



OPENING ANGLE	DIMENSION		MINIMAL DOOR WIDTH
	X	Y	
90°	140	180	403
105°	120	166	389
120°	110	150	373
135°	100	146	369

MATERIAL	FINISH	PART NUMBER
Mild Steel	Zinc plated	M179-44-002
Stainless steel	-	M179-44-001

