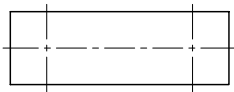
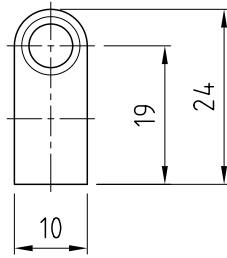
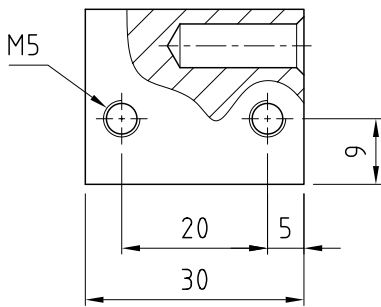
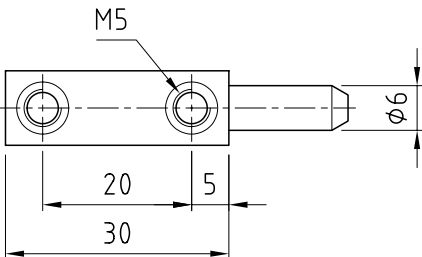
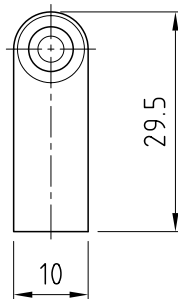
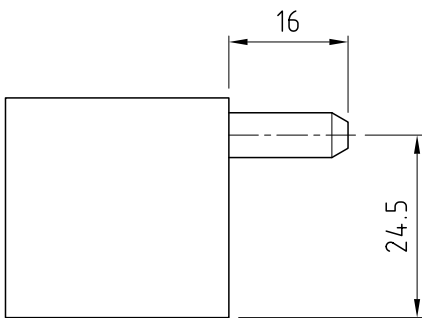


# HIB900NS



TOP



BOTTOM

## FEATURES:

- Brass
- Stainless steel pin
- High quality chrome plating
- Interchangeable male & female components

## DIMENSIONS:

Height (female)	= 24mm
Height (male)	= 29.5mm
Length	= 60mm
Pin diameter	= 6mm

## MATERIAL & FINISH:

Hinge Body	Brass, chrome plated
Pin	Stainless steel

Box quantity: 200



FINISH	MATERIAL	PART NUMBER
Chrome plated	Brass	HIB900NS-E