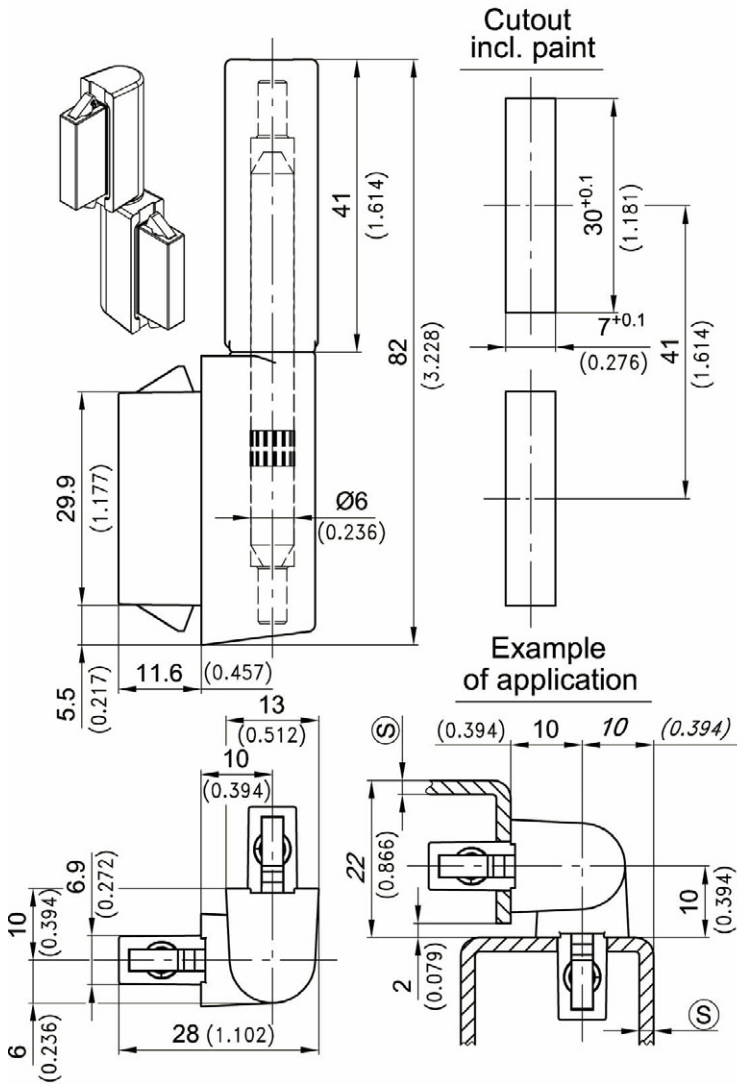




# SNAP IN FIXING HINGE



## FEATURES:

- Elegant 180° corner hinge for surface mounted doors
- 180° Opening angle
- Lift-off
- RH and LH application
- The O-ring for IP65 DIN EN 60529 is included

## MATERIAL & FINISH:

Corner Hinge zinc die, matt black  
 Pin Stainless steel  
 Snap wedge Sintered steel



GRIP RANGE

1.5mm to 2.2mm

PART NUMBER

417-9018.00-00019