

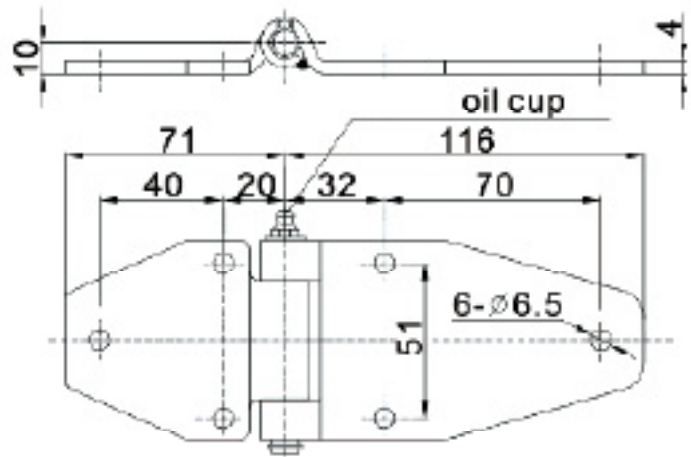
# HINGE

## FEATURES:

- Material: Steel/Stainless steel
- Weight: Steel = 0.336kg, Stainless steel = 0.336kg
- Surface: Zinc plated/Polished



SELECTLOK  
STAINLESS  
STEEL



MATERIAL	FINISH	PART NUMBER
Stainless steel	-	113020-S-L
Stainless steel	-	113020-S

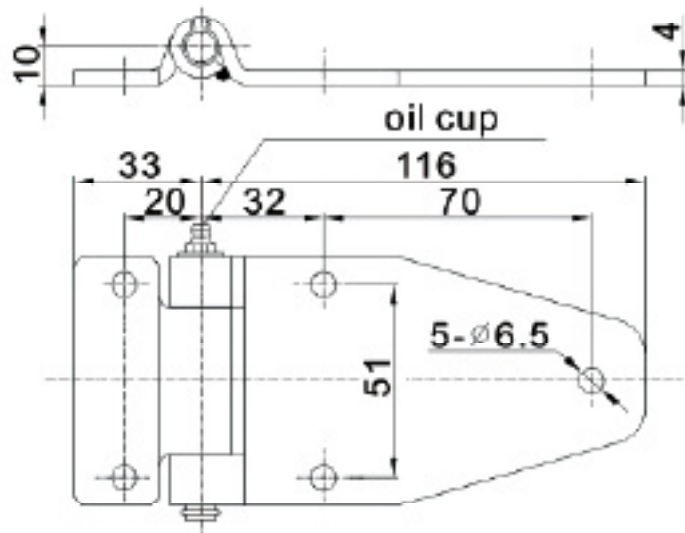
# HINGE

## FEATURES:

- Material: Steel/Stainless steel
- Weight: Steel = 0.326kg, Stainless steel = 0.316kg
- Surface: Zinc plated/Polished



SELECTLOK  
STAINLESS  
STEEL



MATERIAL	FINISH	PART NUMBER
Steel	Zinc plated	113030
Stainless steel	-	113030-S-L
Stainless steel	-	113030-S-R