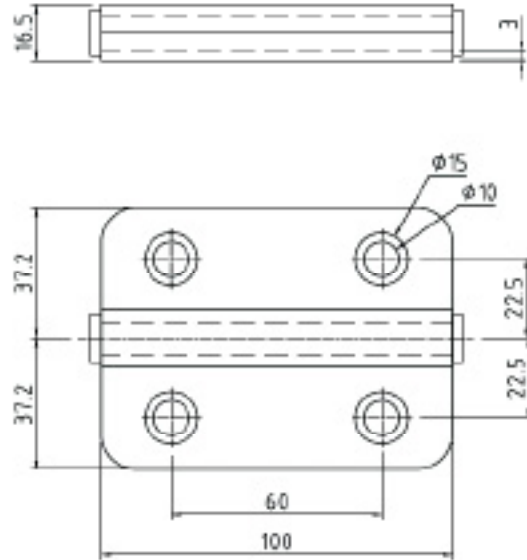


HINGE

FEATURES:

- Lift-off hinge with washer
- Material: Stainless steel
- 4*M8 screws & 4*washer & 4*M8 hex.nut
- Other size upon request

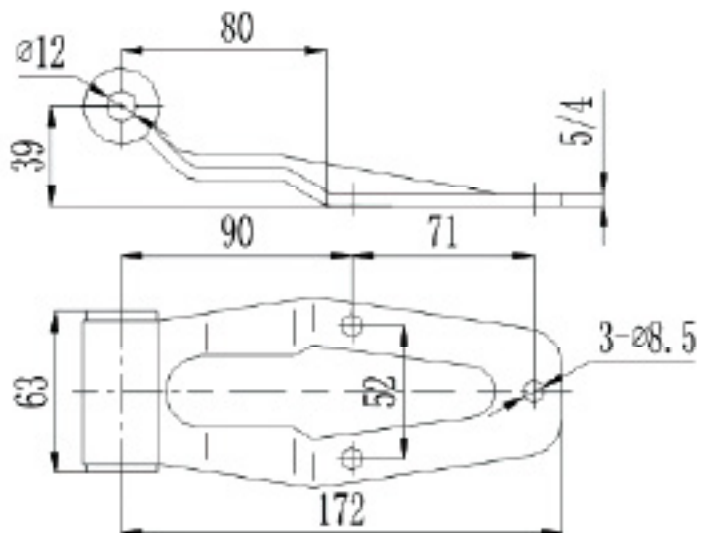


MATERIAL	OPENING	PART NUMBER
Stainless steel	Right	HIB100x75R-SS
Stainless steel	Left	HIB100x75L-SS

HINGE

FEATURES:

- Material: Steel/Stainless steel
- Weight: Steel = 0.582kg, Stainless steel = 0.482kg
- Surface: Zinc plated/Polished



MATERIAL	FINISH	PART NUMBER
Steel	Zinc plated	111031