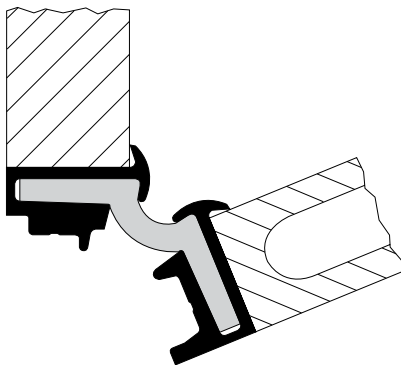


TILA CONTINUOUS HINGE



ADVANTAGES:

- Suitable for doors, tailgates, covers and flaps.
- Only minimal external protrusion. A contribution towards road safety since the risk of injury caused by dangerous, protruding fittings, is eliminated.
- Hinge and seal all-in-one - along the entire length.
- Absolute precision - when in the closed position the two aluminium profiles interlock together. They can only be dismantled when the door, tailgate, cover are open. Forced entry can only be made by cutting the plastic profile, leaving behind visible evidence.
- Virtually no wear.
- Totally maintenance free - has been in practical use for more than two decades, primarily in the bodywork and vehicle area, tried and tested.
- Supplied ready-assembled in standard and special lengths (by request).

THE FUNCTION

The 'hinge' takes a specially moulded plastic profile made from a special POLYURETHANE elastomer with permanent elasticity and high tear resistance. Opening angles of more than 180° or 270° are achieved depending upon the profile design. Continuous stress when in the open position requires the use of a holding mechanism to keep the hinge open, e.g. in the case of doors - a Door retainer.

POTENTIAL USES

Can be fitted to doors, tailgates, lids of all kind, as single element or as an add-on unit (for so-called folding or concertina designs), in bodywork and vehicle construction, for boot and van fixings, sales vehicles and buses etc. For use wherever flaps, lids and doors are required.

INSTALLATION

Is extremely simple since the TILA continuous hinge is supplied in the open position using spacers and with holes already pre-drilled, ready for installation.

1. Attach the TILA continuous hinge to door, flap or lid.
2. Fit the installation element to the installation frame and attach the 2nd blade of the TILA continuous hinge to it.
3. If you open the door, flap or lid further out the spacers fall out and the door, flap or lid is hinged and ready to use.

As with many 'synthetic' materials, care should be taken when subjecting the hinge to specific and specialised influences which may have unexpected detrimental effects. These include, amongst others hydrolysis, microbe infestation, sudden mechanical stresses (e.g. sudden opening) in conjunction with extremely low temperatures, corrosive acids, alkaline solutions and cleaning agent additives.

Moreover, we would ask you to consult us if you have any enquiries so we can provide you with optimum advice. The above mentioned technical data, information and recommendations are intended as a guide but is not binding! These reflect our latest knowledge at the time this product information was submitted for printing and does not exempt the user from carrying out their own precise examination of the potential uses for our products in each individual case.

We reserve the right to carry out design modifications.
The technical data is intended as a guide but is not binding!