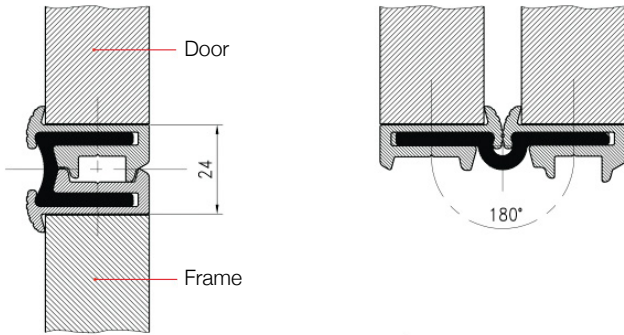


POLIALL HINGE

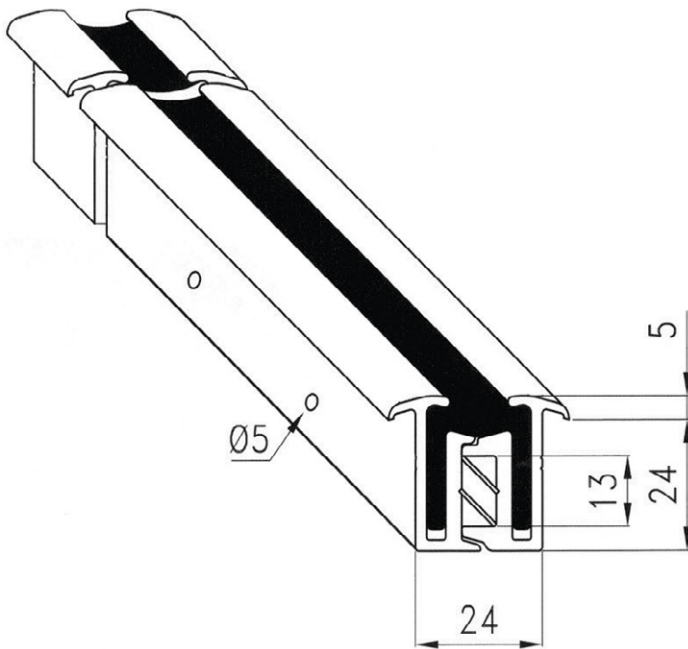


FEATURES:

- Pre-drilled holes dia. 5.0mm
- Temperature range: -20°C to +40°C
- 30,000 cycles of opening/closing

MATERIAL:

- Natural Anodized Aluminium
- Black Polyuretan



LENGTH (mm)	PRE-DRILLED HOLE DIAMETER (mm)	PART NUMBER
1800	5.0	631218-E
2200	5.0	631222-E
2400	5.0	631224-E