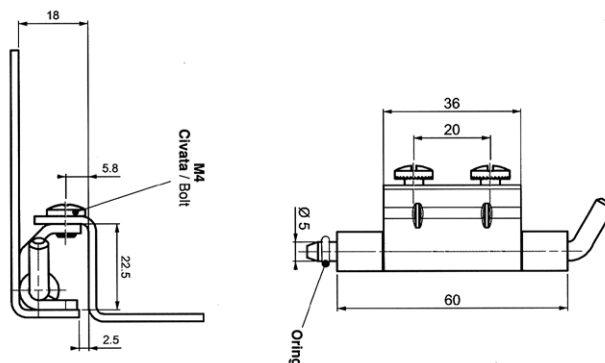


CONCEALED HINGE

FEATURES:

- For doors with bending of 18mm
- Frame part is screwed on, door part is either welded on or screwed on
- LH and RH application is possible material and finished
- Body steel, zinc plated welding part steel, copper plated

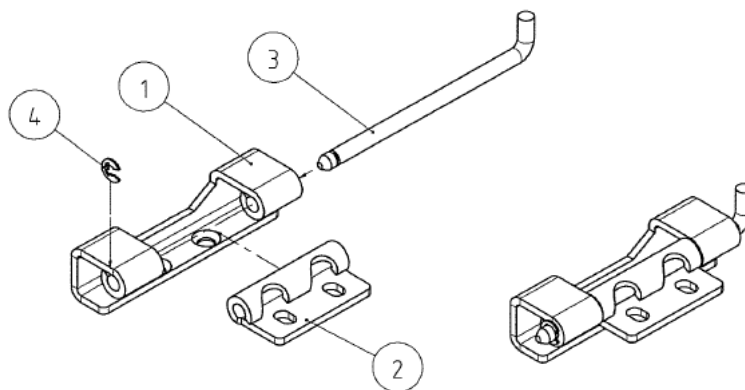
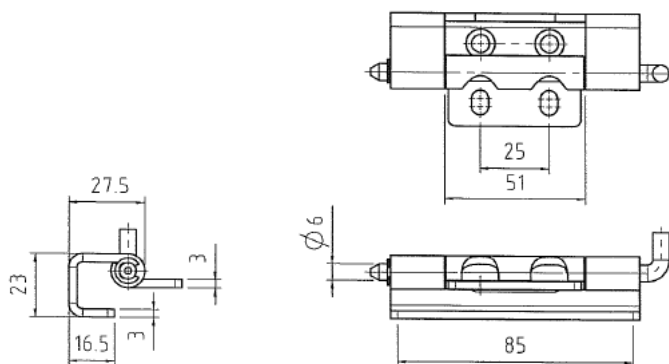


MATERIAL	FINISH	PART NUMBER
Mild steel	Zinc plated	M695-6-3-1
Stainless steel	-	M695-4-0-1

CONCEALED HINGE

FEATURES:

- Heavy duty application
- RH or LH application
- Used for surface-mounted doors
- Maximum opening angle 120°
- Oblong and countersunk holes for M6



MATERIAL	FINISH	PART NUMBER
Mild steel	Zinc plated	PI5373-01-MS
Mild steel	Aluminium untreated	PI5373-01-AL