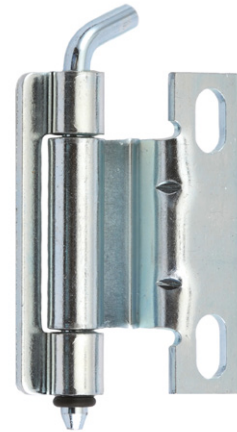


SELECTLOK
STAINLESS
STEEL

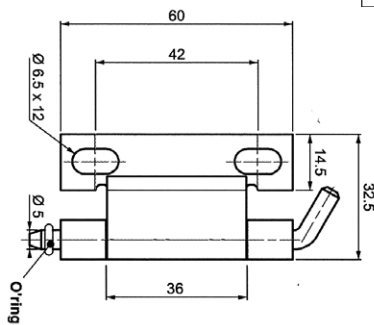
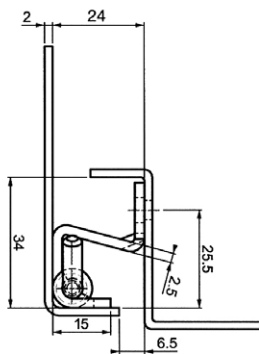
CONCEALED HINGE

FEATURES:

- For doors with bending of 20mm
- Frame part screw on
- Door part weld on



MATERIAL	FINISH	PART NUMBER
Mild steel	Zinc plated	M295-6-3-1
Stainless steel	-	M295-4-0-1



SELECTLOK
STAINLESS
STEEL

CONCEALED HINGE

FEATURES:

- For doors with bending of 24mm
- Frame part screw on
- Door part weld on



MATERIAL	FINISH	PART NUMBER
Stainless steel	-	M295-4-0-2