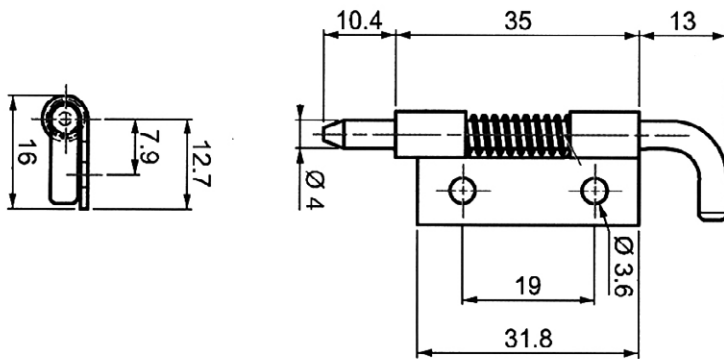


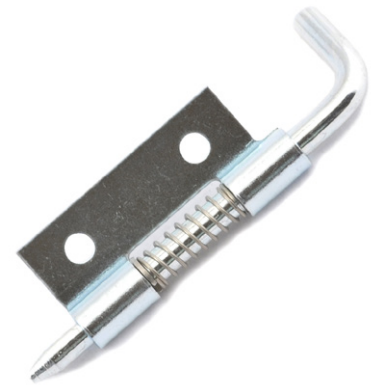
SELECTLOK
STAINLESS
STEEL

SPRING LOADED HINGE



FEATURES:

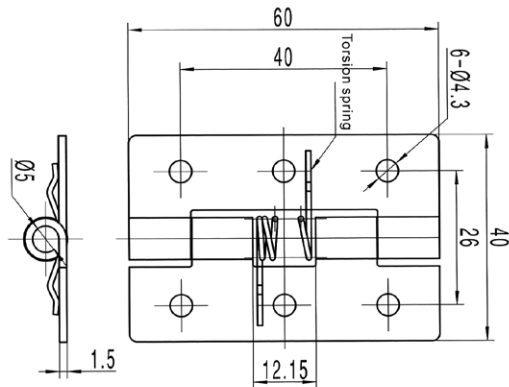
- Can be screwed or welded on
- Suitable for left or right hand applications
- Pin diameter: 4mm



MATERIAL	FINISH	PART NUMBER
Stainless steel	-	M289-4-0-1

SELECTLOK
STAINLESS
STEEL

SPRING LOADED BUTT HINGE



FEATURES:

- Stainless steel
- For self-closing applications



MATERIAL	PART NUMBER
Stainless steel	CL253-6