

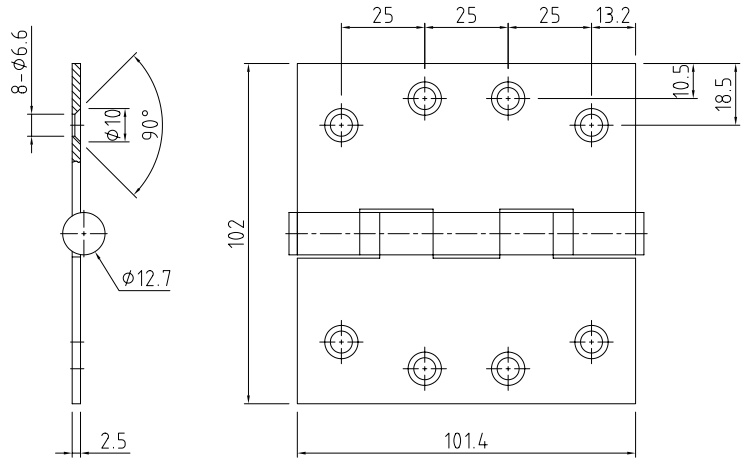
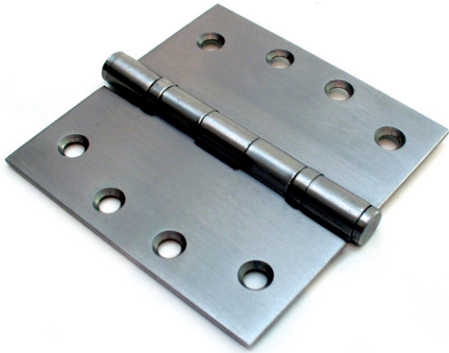
# BUTT HINGE

## FEATURES:

- Stainless steel
- Ball bearings to aid movement

## DIMENSIONS:

Height = 101.4mm  
 Width = 102mm  
 Material thickness = 2.5mm



HEIGHT	WIDTH	PART NUMBER
101.4mm	102mm	HIB44SS

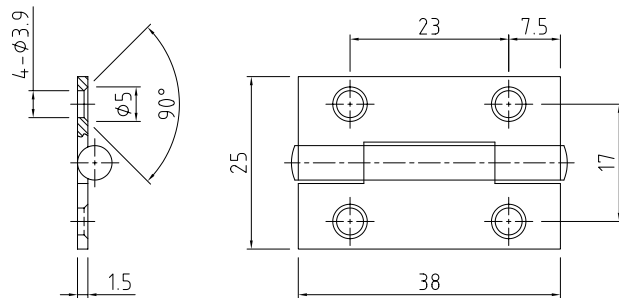
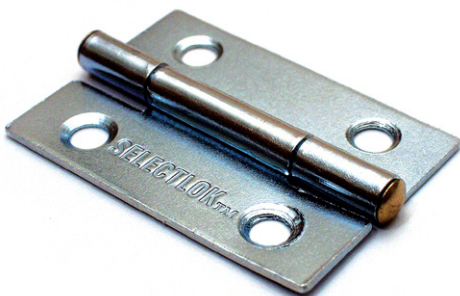
# BUTT HINGE

## FEATURES:

- Available in mild or stainless steel

## DIMENSIONS:

- Height = 38mm
- Width = 25mm



MATERIAL	FINISH	t (mm)	PART NUMBER
Mild steel	Mild steel	1.0	HIB382506
Stainless steel	-	0.8	HIB3725SS