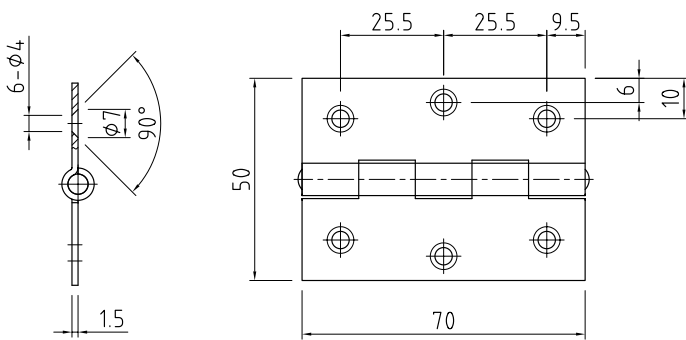


SELECTLOK
STAINLESS
STEEL



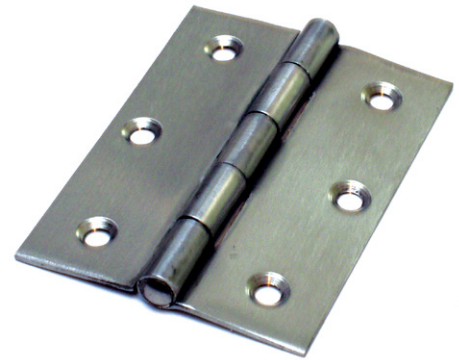
BUTT HINGE

FEATURES:

- Stainless steel

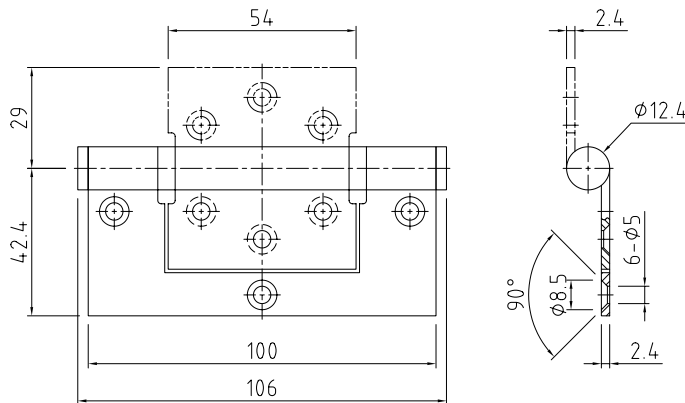
DIMENSIONS:

Height = 70mm
Width = 50mm
Material thickness = 1.5mm



HEIGHT	WIDTH	PART NUMBER
70mm	50mm	HIB705016SS

SELECTLOK
STAINLESS
STEEL



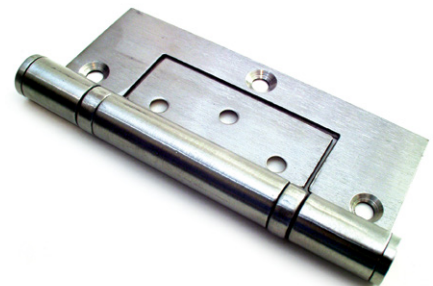
NON-MORTICE HINGE

FEATURES:

- Stainless steel

DIMENSIONS:

Height = 100mm
Width = 71.4mm
Material thickness = 2.4mm



HEIGHT	WIDTH	PART NUMBER
100mm	71.4mm	HIB100SS