

BUTT HINGE

MATERIAL & FINISH:

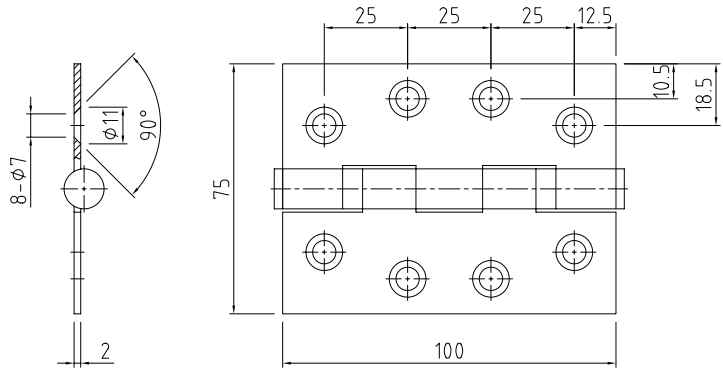
- Stainless steel
- Ball bearings to aid movement

DIMENSIONS:

Height = 100mm
 Width = 75mm
 Material thickness = 2mm



SELECTRIX
STAINLESS
STEEL



HEIGHT	WIDTH	PART NUMBER
100mm	75mm	HIB100752SS

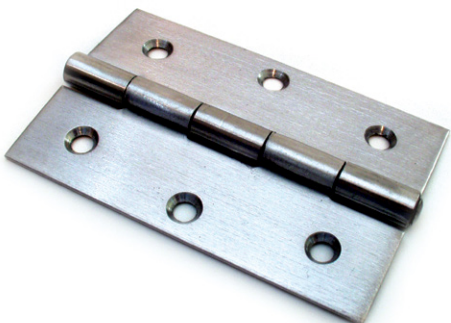
BUTT HINGE

MATERIAL & FINISH:

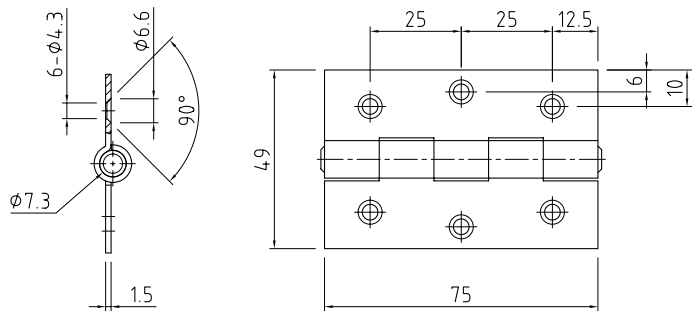
- Stainless steel

DIMENSIONS:

Height = 75mm
 Width = 49mm
 Material thickness = 1.5mm



SELECTRIX
STAINLESS
STEEL



HEIGHT	WIDTH	PART NUMBER
75mm	49mm	HIB7550SS