

COMPRESSION QUARTER TURN



FEATURES:

- IP65 rated
- Reduced installation time
- Fully assembled
- 7mm Compression action on closing

DIMENSIONS:

Housing Length = 31mm
Escutcheon = 28mm

MATERIAL & FINISH:

Housing Zinc die, black powder coated
Insert Zinc die, black powder coated
Cam Mild steel, Zinc plated

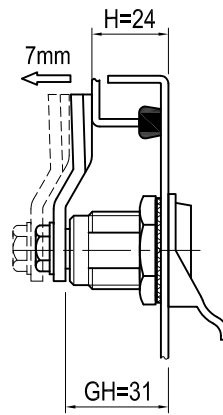
CAM DIMENSIONS:

MS816-1 H = 24mm Length= 45mm

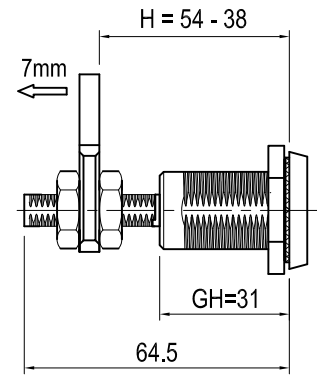
MS816-1A Adjustable H dimension
Length= 33mm

Other variations available on request
Refer to [page 1-14](#) when ordering

Finger pull polyamide to be ordered separately ([Part No. PI5339-07](#))

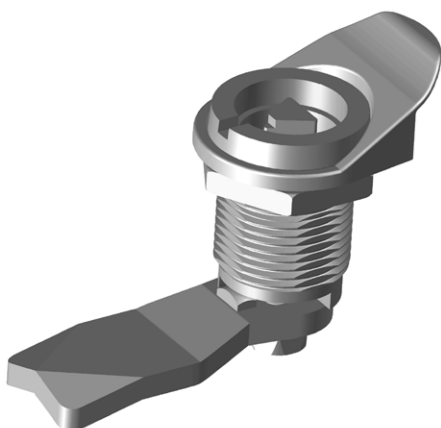
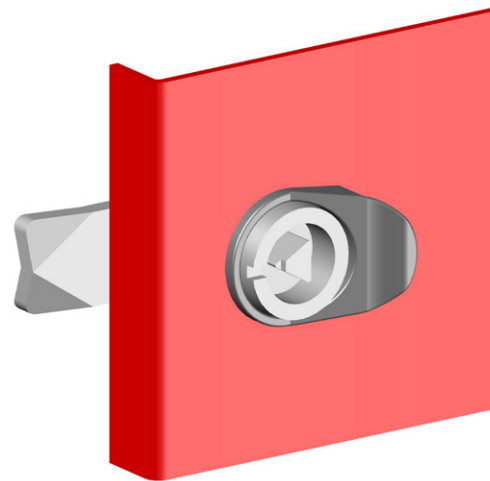
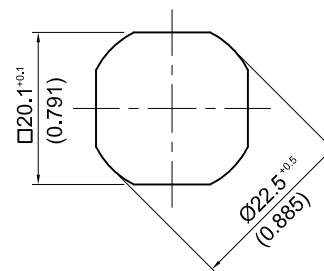


MS816-1



MS816-1A

CUT-OUT



DRIVE STYLE	PART MS816-1	PART MS816-1A
8mm Square	MS816-1-5	MS816-1A-5