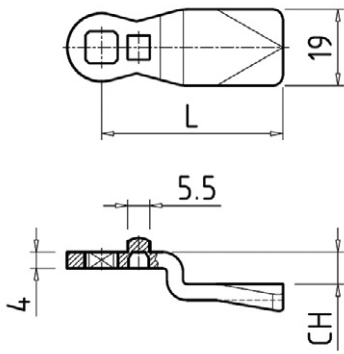


# CAMS

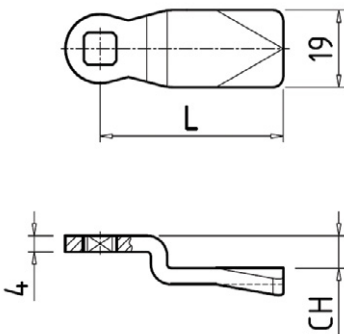
## MATERIAL & FINISH:

- Mild steel
- Zinc plated
- 4mm material thickness

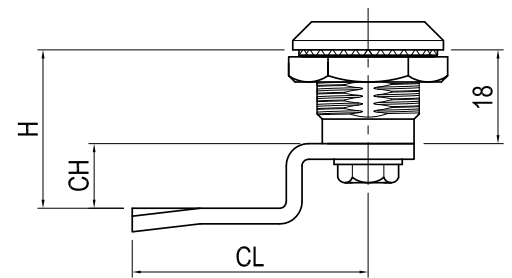
\* Stainless steel range, available on request



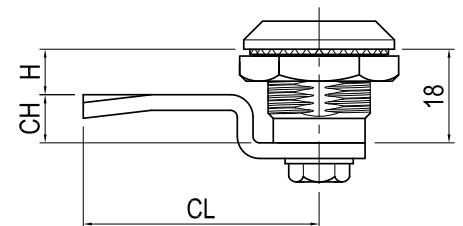
Cam with stopper



Cam without stopper



$$H = 18 + CH$$



$$H = 18 - CH$$

LENGTH	STYLE	PART NUMBER
L = 45	Stopper	MCAM-H
L = 45	No Stopper	XCAM-H
L ≠ 45	Stopper	MCAM-H-L
L ≠ 45	No Stopper	XCAM-H-L