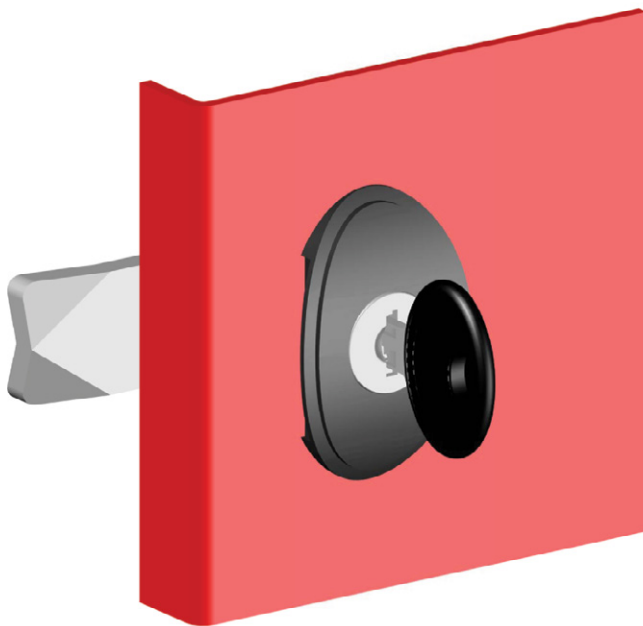
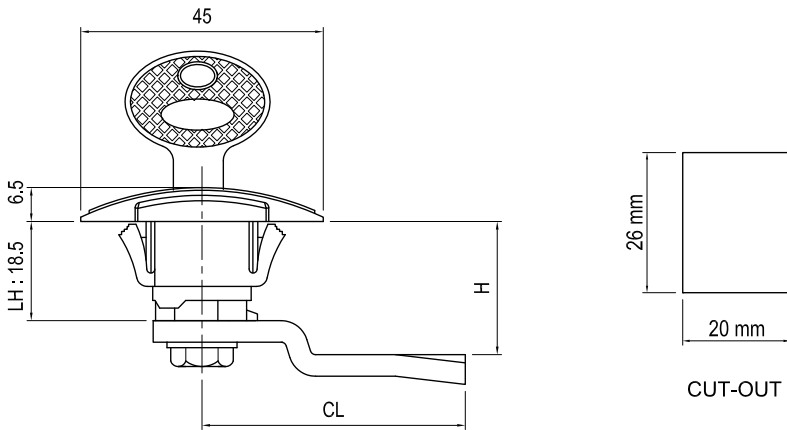


KNOB-ON LOCK



FEATURES:

- Clip-in fixing for easy assembly
- Reduced installation time
- Inbuilt finger pull
- Multiple key combinations available (see table)
- To suit panel thickness 0.8-1.8mm

DIMENSIONS:

Housing Length = 18.5mm

MATERIAL & FINISH:

Housing Polyamide
Barrel Zinc die cast
Cam Mild steel, Zinc plated

CAM DIMENSIONS:

Refer to [page 1-14](#) when ordering



KEY CODE	PART NUMBER
92268	M261-2-0-92268-00
CL001	M261-2-0-CL001-00

* CAM ordered separately

Please note: Selectlok/Selectrix reserves the right to alter designs and dimensions without notice.
©Selectrix Industries Pty Ltd and Selectlok NZ Limited.

SELECTLOK®

SECTION 1-12