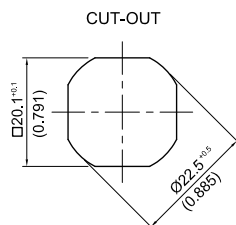
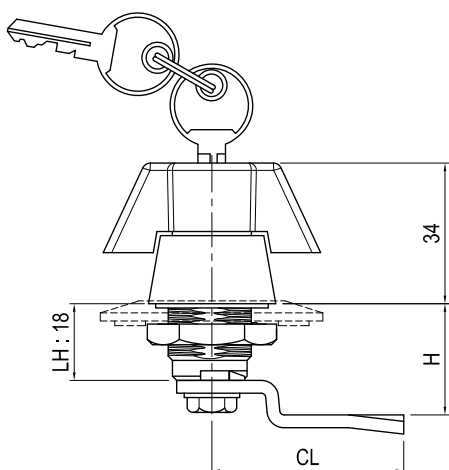




# WING HANDLE



## FEATURES:

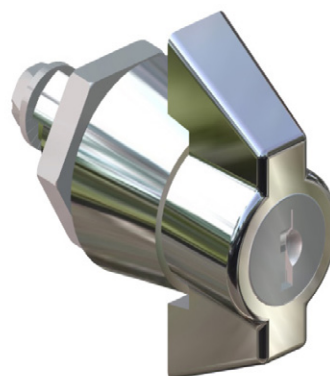
- RH or LH application
- 90° rotation
- Key locking and non locking option available
- IP65 rated

## MATERIAL & FINISH:

Housing	Zinc die, Chrome plated
Nut	Zinc die, Zinc plated
Handle	Zinc die, Chrome plated

## STANDARD CAM AVAILABLE:

Refer to [page 1-14](#) when ordering



KEY NUMBER	PART NUMBER
CL001	ALWU01A
92268	ALWU02A

\* CAM ordered separately

Please note: Selectlok/Selectrix reserves the right to alter designs and dimensions without notice.  
©Selectrix Industries Pty Ltd and Selectlok NZ Limited.